

▶ EMD I 04



Specifications

| | | |
|-------------------|----------------------------|---|
| Control Interface | Control System | PC Based |
| | Computer | Fanless Panel PC |
| | Processor | Intel Atom |
| | Operating System | Windows 10 IoT |
| | Monitor | Integrated 12.1" Resistive Touch Screen |
| Part Transport | X-Travel and Repeatability | 500mm (+ - 0.02mm) |
| | Y-Travel and Repeatability | 400mm (+ - 0.02mm) |
| | Lost Motion | + - 0.1mm |
| | Part Holding | Placement on a custom fixture |
| | Fixture Size | 228mm x 160mm |
| | | Larger size fixtures can be implemented |



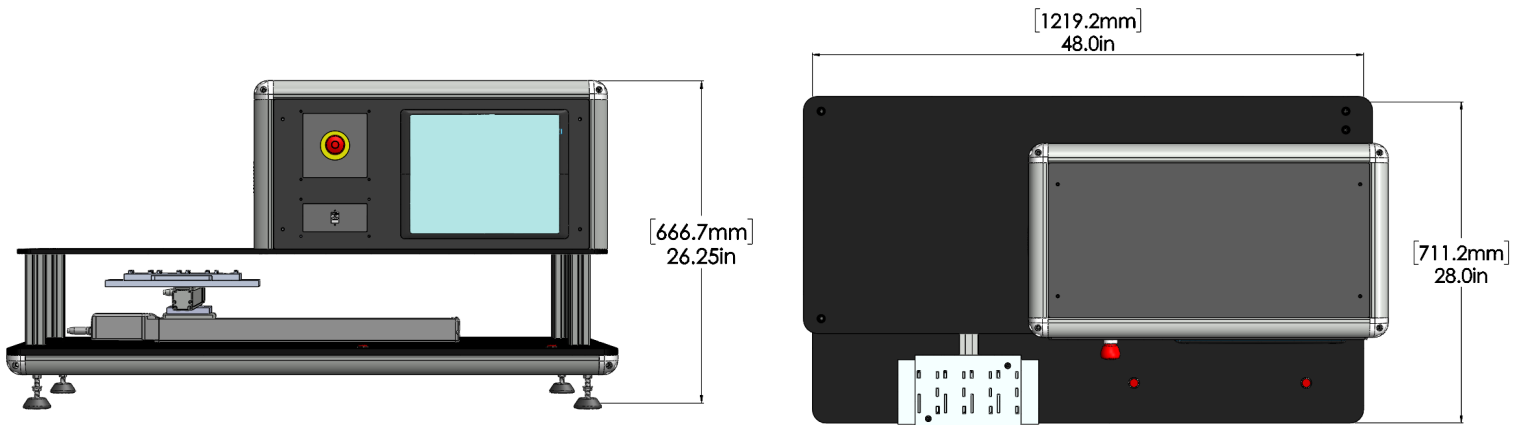
TODDCO 3 INCORPORATED

Phone: 619-286-3326
E-mail: sales@toddco.com
www.toddco.com

Toddco 3 Incorporated
27574 Commerce Center Dr., STE 134
Temecula, CA 92590

▶ EMD I 04

| | | |
|---|--------------------------|--|
| Size | Frame | 1219mm [48"] W x 711mm [28"] D x 667mm [26"] H |
| Facilities Req. | Power | 120 VAC, 60 Hz |
| Confocal Displacement Sensor Head | Measurement Range | +/-3.7mm |
| | Resolution | 0.25 μm (0.000010") |
| | Environmental Resistance | IP67 |
| Confocal Displacement Sensor Controller | Optical Unit Connections | 6 units |
| | Interface Connections | Ethernet/IP™, Ethernet, USB, RS-232C, Terminal (IN)(OUT) |



| | |
|----------------|--|
| Software | Multi-level access control with encrypted password protection |
| | Custom control interface that uses image-based reference points to assist with fixture alignment |
| | Real-time image scaling and repositioning for flexible on-screen visualization |
| | Real-time display of pass/fail results |
| | Data-logging capability |
| | Remote login for instant technical support |
| | Recipe Management that allows users to select points on the image and save/load them as reusable recipes |
| | Automated fixture alignment that uses two motion axes to align a fixture to the selected image coordinates |
| | Vision-guided positioning that translates user-defined visual data into precise mechanical motion |
| Other Features | Emergency Stop Switch |
| | Optional barcode scanner to streamline SKU input |
| | Two-Hand Motion Control with Anti-Tie-Down Logic |
| | External USB Inputs |
| | Integrated Leveling Feet |
| | Ethernet and Wi-Fi interfaces for remote access/network connection |



TODDCO 3 INCORPORATED

Phone: 619-286-3326
 E-mail: sales@toddco.com
 www.toddco.com

Toddco 3 Incorporated
 27574 Commerce Center Dr., STE 134
 Temecula, CA 92590