

▶ VISI03



Specifications		
Control Interface	Control System	PC Based
	Computer	External PC Connectivity
		Integrated PC and Custom HMI can be Implemented
Ball Rotation Drive	Rotation	Continuous 360° X/Y Rotation
	Ball Speed	23 RPM
	Ball Diameter Fixture Size	Fits Standard-Size Golf Balls (42.67mm)
		Different Size Fixtures can be Implemented



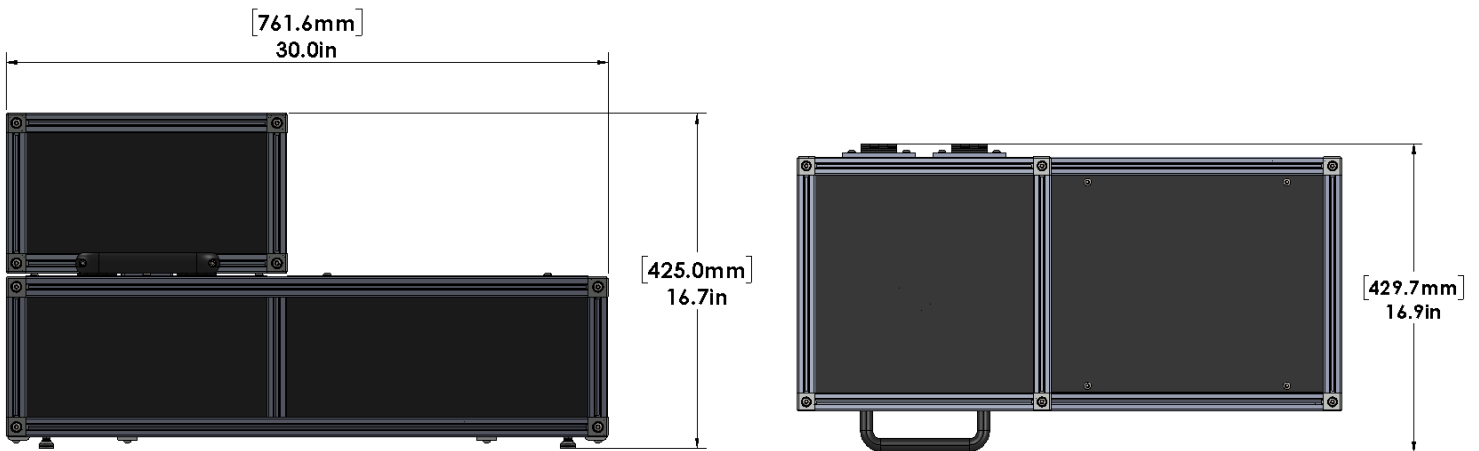
TODDCO 3 INCORPORATED

Phone: 619-286-3326
 E-mail: sales@toddco.com
www.toddco.com

Toddco 3 Incorporated
 27574 Commerce Center Dr., STE 134
 Temecula, CA 92590

▶ VISI03

Size	Frame	761.6mm [30.0"] W x 355.6mm [14.0"] D x 419.1mm [16.5"] H
Facilities Req.	Power	120 VAC, 60 Hz
Vision System (VS-S500CX)	Field of View	27mm - 417mm (1.06" - 16.42")
	Resolution Modes	1.6M, 3.2M, and 5M
	Environmental Resistance	IP67
	Interface Connections	Ethernet, I/O



Software	Multi-level access control with encrypted password protection
	Real-time display of pass/fail results
	Data-logging capability
	Remote login for instant technical support
	Recipe Management that allows users to capture different positions and save/load them as reusable recipes
Other Features	Dome Light with white LED and UV365 lighting (Can also implement IR850, UV395, and RGB lighting)
	External PC Control Compatibility
	External USB Inputs
	Integrated Leveling Feet
	Ethernet and Wi-Fi interfaces for remote access/network connection



TODDCO 3 INCORPORATED

Phone: 619-286-3326
 E-mail: sales@toddco.com
 www.toddco.com

Toddco 3 Incorporated
 27574 Commerce Center Dr., STE 134
 Temecula, CA 92590